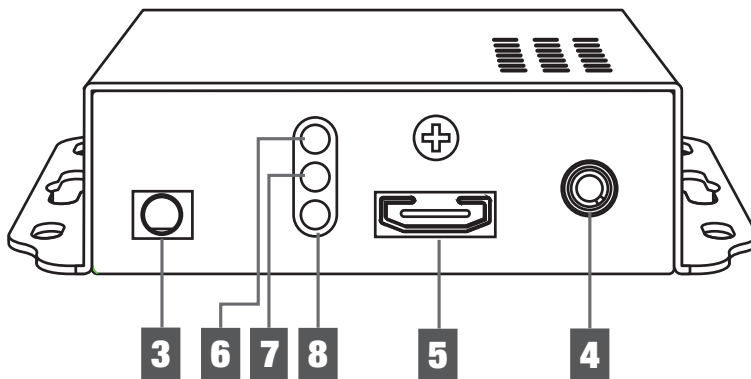
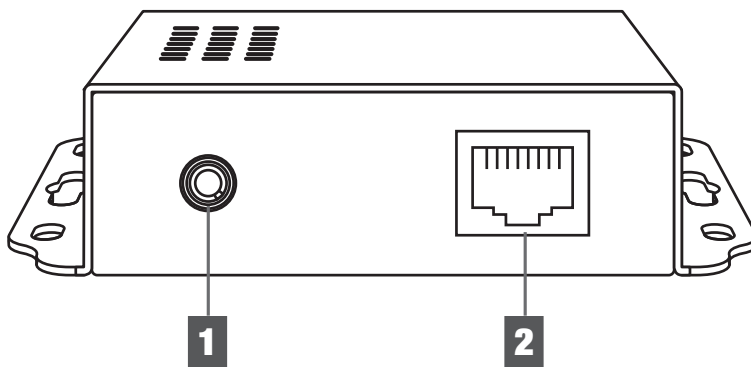


# Transmitter Connections

## TRANSMITTER



**1** IR Out

**2** HDBaseT

**3** Power Input

**4** IR In

**5** HDMI In

**6** Power Indicator

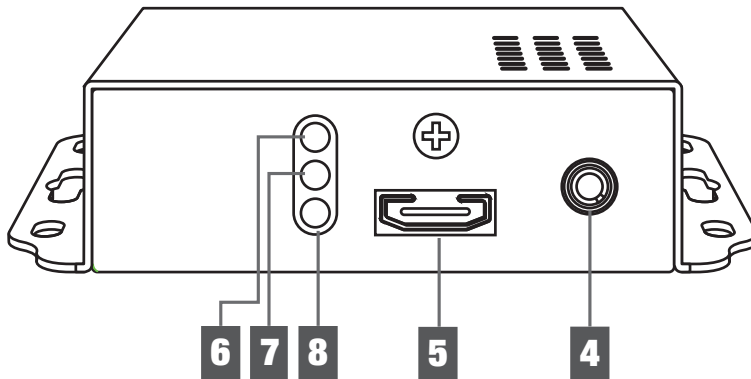
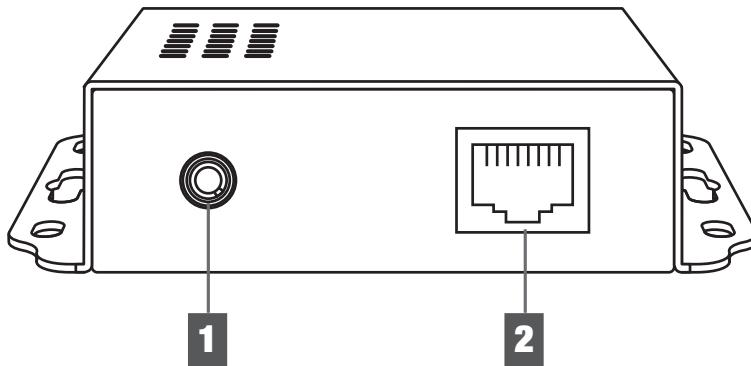
**7** HDMI/HDCP Indicator

**8** HDBaseT Link Indicator



# Receiver Connections

## RECEIVER



**1** IR Out

**2** HDBaseT

**4** IR In

**5** HDMI Out

**6** Power Indicator

**7** HDMI/HDCP Indicator

**8** HDBaseT Link Indicator

# Transmitter Functions

## TRANSMITTER FUNCTIONS - See pg 7

**1 IRDA Out** – Used for connecting to an Infra-Red Emitter for controlling a device at this end. The IR Signal would originate from the Receiver end either from a Powered Pickup or an IR Pass-Thru.

**2 HDBase-T Link Connection** – Connect via Category 5e/6/7 cable . Recommended minimum length is 4 Meters up to our maximum rated specification of 70 Meters.

**3 Power Input** – Utilizing the supplied 24V 1A supply, connect at the Transmitter side where indicated. No Power Supply is then necessary at the Receiver side.

**4 IRDA In** – Used for connecting to a 12V Powered Infra-Red Pickup device via 3-conductor mini-plug, or for Pass thru using SMA-1 Adapter cable (included). See Diagram on Page 11 for details.

**5 HDMI Input** – Connect this to your HDMI Source – Cable Box, Disc Player, etc.

**6 Power Indicator** – This light indicates that power is being supplied to the unit. Connection of the (included) Power Supply should illuminate this light on both Transmitter and Receiver Units. If the “POWER” light is not on, you should check that the power supply is properly connected.

**7 HDMI/HDCP Indicator** – This light shows that a valid HDMI connection has been made, “handshake” has taken place, and there is a High Definition Copy Protect flag in operation. Attempts to copy Digital content will not be allowed. Any connection to a non-compliant Digital copy device will cause this light to go off, and will result in the loss of signal.



## Recievers Functions

A solid HDMI light indicates the unit is processing an HDCP-Encoded signal and there should be a picture on screen. A slow flashing ( 1 per second) HDMI light indicates the signal is non-copyright encoded, and you should have a picture on screen. No HDMI light indicates lack of signal being applied. A fast (2x second) HDMI light indicates an improper copyright attempt and will result in no picture.

**8 HDBaseT Link Indicator** – These lights show that communication has been properly established with the HDBase-T Receiver. No other connections need be made for these lights to indicate your connection is secure. A blinking HDBT link light indic ates the units are in standby mode. This results from no signal being applied to the transmitter. Upon application of the HDMI signal, both units should wake up (within 1 second) and carry your HDMI signal as desired.

### RECEIVER FUNCTIONS - See Page 8

**1 IRDA Out** – Used for connecting to an Infra-Red Emitter for controlling a device at this end. The IR Signal would originate from the Transmitter end either from a Powered Pickup or an IR Pass-Thru.

**2 HDBase-T Link Connection** – Refer to Item 2 above.

**4 IRDA In** – Used for connecting to a 12V Powered Infra-Red Pickup device via 3-conductor mini-plug, or for Pass thru using SMA-1 Adapter cable (included). See Diagram on Page 11 for details.

**5 HDMI Output** – Connect this to your Display device – TV, Projector, etc. All video signals input to the HDMI Input on the Transmitter will appear here.

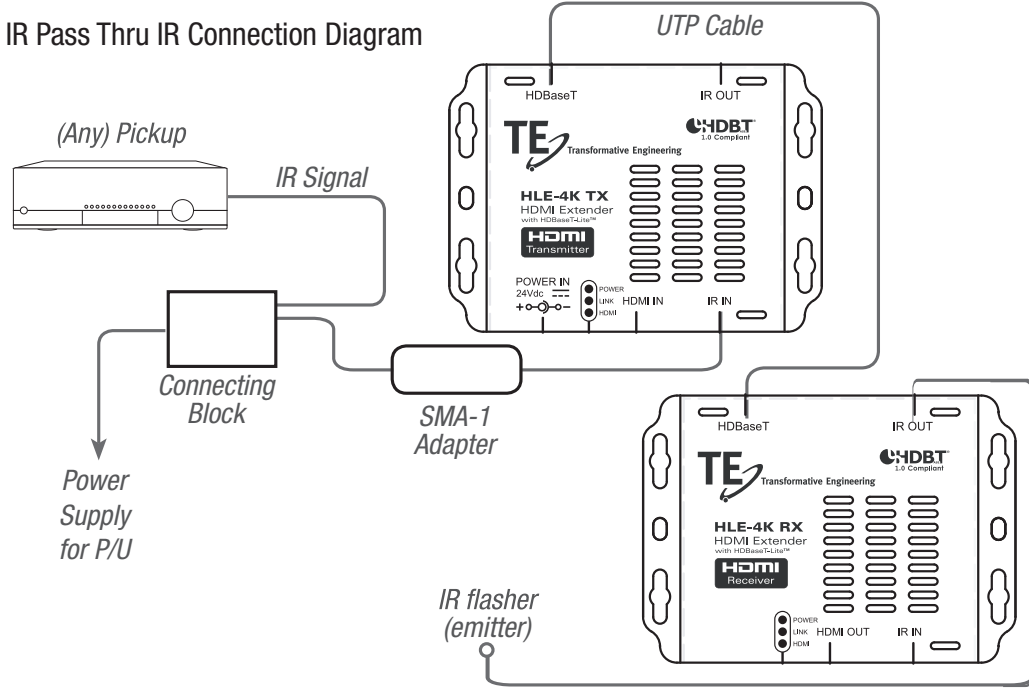
**6 Power Indicator** – Refer to Item 6 above.

**7 HDMI/HDCP Indicator** – Refer to Item 7 above.

**8 HDBaseT Link Indicator** – Refer to Item 8 above.

# IR Connection Diagrams

IR Pass Thru IR Connection Diagram



Powered Pickup IR Connection Diagram

